

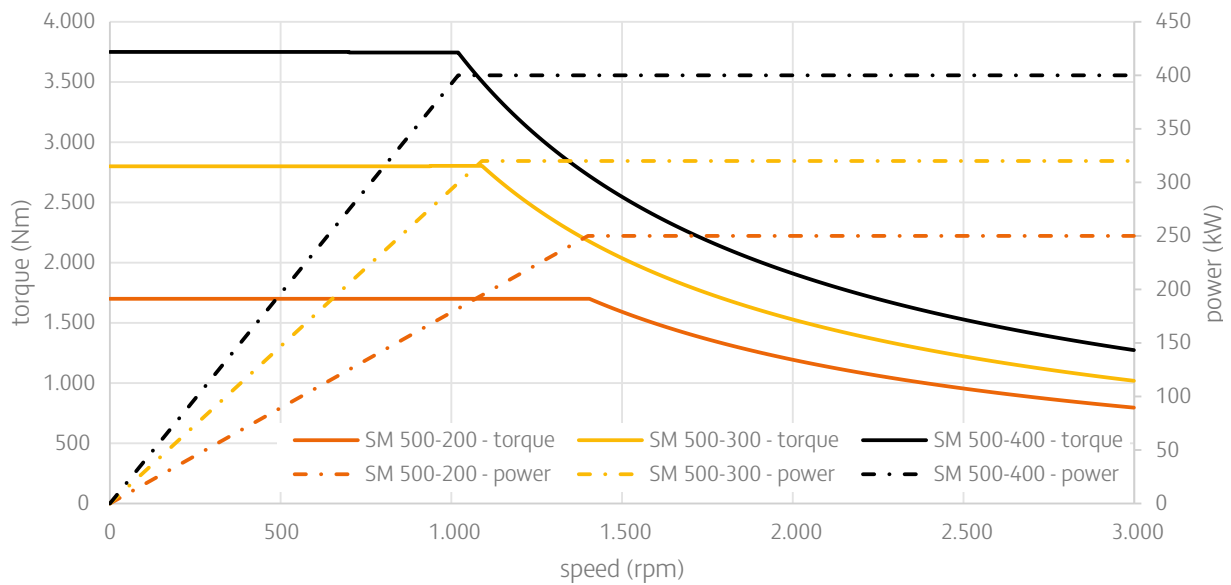
Synchronous Motor **SM-500**

// Values for continous Mode (S1)

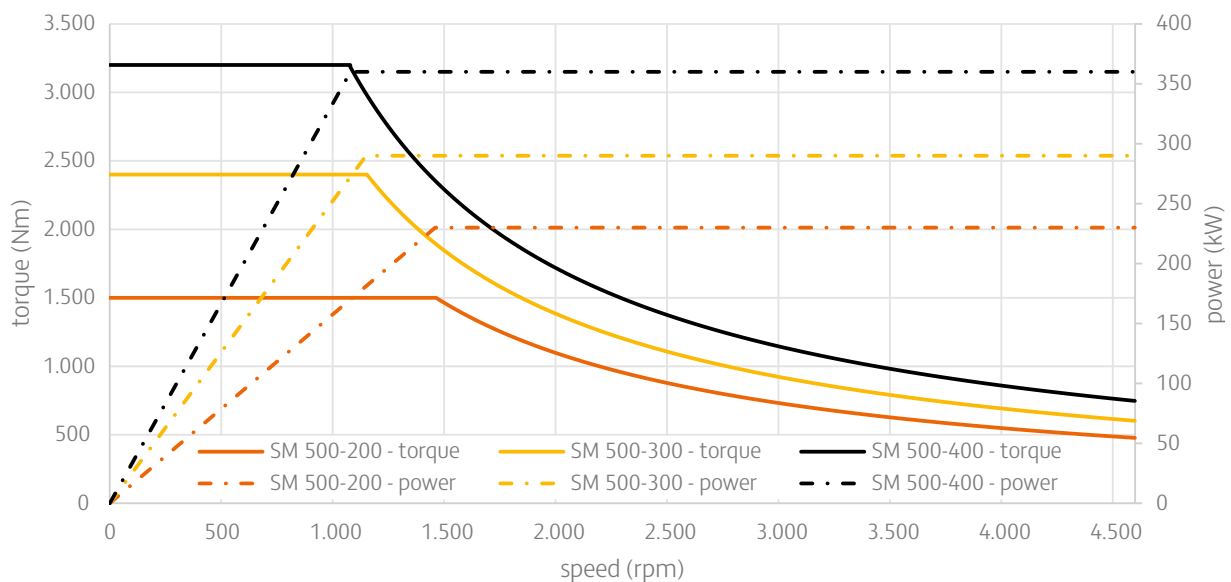
Size	nominal Torque (Nm)	nominal Power (kW)	nominal Speed (rpm)	max. Speed (rpm)	nom. Current* (Aeff)
-200	1.700	250	1.400	3.000	370
	1.500	230	1.460	4.600	370
-300	2.800	320	1.090	3.000	485
	2.400	290	1.150	4.600	485
-400	3.750	400	1.020	3.000	600
	3.200	360	1.080	4.600	600

*@500Veff

// SM 500 - torque line

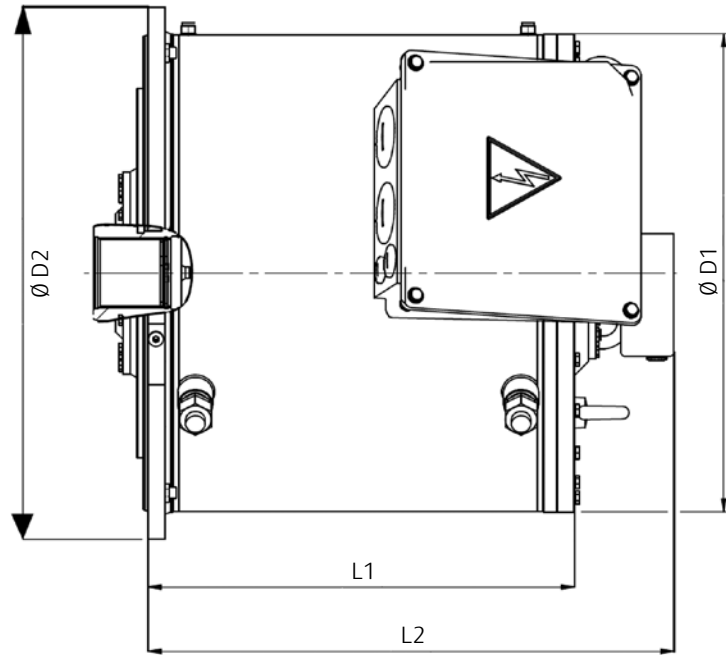


// SM 500 - 200, 300, 400



Synchronous Motor **SM-500**

Motor-Diameter D1	544 mm
Flange-Diameter D2	605 mm
Motor-Length L1	-size + 186 mm
Motor-Length L2	-size + 299 mm
Active-Length	-size mm
Stator-Lamination Ø	500 mm



Technical data

- synchronous reluctance assisted permanent magnet motor
- designed for inverter operation
- ambient temperatures -20 °C - +50 °C
- vibration quantity: A
- shock < 5 g, vibration < 1 g
- IP65
- insulation class F* 175 °C
- water cooled
- short time torque up to 200 % of nominal torque
- customized winding design for optimized power/torque performance

Optional equipment

- feedback System: Encoder or Resolver
- holding brake
- hollow shaft
- shaft grounding
- insulated bearings
- standstill heating
- customized mechanical and electrical interface

All information is given to the best of our knowledge. This does not constitute a guarantee of properties. Our liability shall be determined in accordance with the individual contractual provisions or our general terms and conditions.



ZOLLERN GmbH & Co. KG

Heustrasse 1
88518 Herbertingen
Germany
T +49 7586 959 482
F +49 7586 959 82482
ztd@zollern.com
www.zollern.com